

# PXIe-3935

## 3U Intel® Celeron® 2000E 2.2GHz Processor-Based PXIe Controller

### Features

- Entry level platform provides an ideal balance between performance and price point
- PXI-5 PXI Express hardware specification Rev.1.0 compliant
- Supports dual independent displays via dual DisplayPort
- 8 GB/s maximum system throughput
- Flexible I/O:
  - Dual USB 3.0 ports and four USB 2.0 ports
  - Dual Gigabit Ethernet ports
  - Built-in GPIB (IEEE488) controller
  - One RS-232/422/485 D-SUB9 connector
- Dual BIOS support for backup



### Introduction

The ADLINK PXIe-3935 PXI Express embedded controller, based on the Intel® Celeron® 2000E 2.2GHz processor, matches superior performance with an unprecedented price point. Specifically conceived for hybrid PXI Express-based testing systems, the ADLINK PXIe-3935 delivers a rugged and stable platform for a wide variety of testing and measurement applications.

The ADLINK PXIe-3935 provides ample interface flexibility, including two DisplayPort connectors, allowing connection to two monitors, dual USB 3.0 connections for high speed peripheral devices, dual Gigabit Ethernet ports, with one for LAN connection and the other for controlling LXI instruments, four USB 2.0 ports for peripheral devices and USB instrument control, a Micro-D GPIB connector for GPIB instrument connection, and one RS-232/422/485 D-SUB9 connector for hybrid PXI-based testing systems control.

The ADLINK PXIe-3935 significantly reduces maintenance efforts with easily replaceable battery and upgradable storage and SODIMM modules. Backup BIOS also eases recovery in the event of a main BIOS crash.

### Software Support

- Windows 7 x86/x64

### Ordering Information

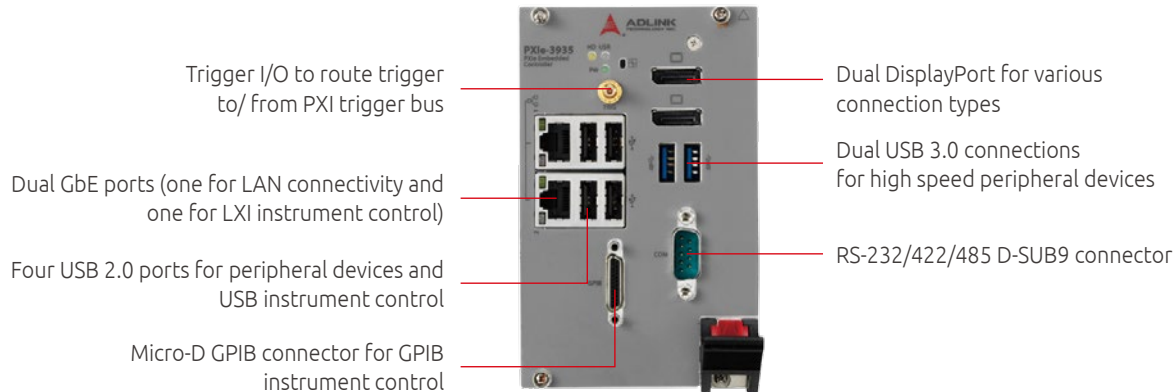
- **PXIe-3935**  
3U PXI Express Intel® Celeron® 2000E 2.20GHz system controller with 4GB memory & 500GB HDD
- **PXIe-3935/M8G**  
3U PXI Express Intel® Celeron® 2000E 2.20GHz system controller with 8GB memory & 500GB HDD
- **PXIe-3935/SSD**  
3U PXI Express Intel® Celeron® 2000E 2.20GHz system controller with 4GB memory & 240GB SSD
- **PXIe-3935/M8G/SSD**  
3U PXI Express Intel® Celeron® 2000E 2.20GHz system controller with 8GB memory & 240GB SSD

\*Every PXIe-3935 unit ships with 1 bundled DisplayPort to DVI-D Cable.

### Cable Accessory

- **ACL-IEEE488-MD1-A**  
1M 25-pin Micro-D to GPIB Cable

## Product Illustration



## Specifications

Model Name	PXIe-3935
<b>Core Features</b>	
CPU	Intel® Celeron® 2000E 2.20GHz
DMI	5 GT/s
Chipset	Mobile Intel® HM86 chipset
Memory	Up to 16 GB SO-DIMM memory Supports dual-channel DDR3L SDRAM, 1333/1600 MHz
<b>Display</b>	
DisplayPort	2 DisplayPort, 3840 x 2160 @ 60Hz
DVI (via Adapter)	Supports up to 2 DisplayPort to DVI-D adapters, 1920 x 1200 @ 60Hz
<b>I/O Connectivity</b>	
Ethernet	One Intel® I210 Gigabit Ethernet Controller and one Intel® I217 Gigabit Ethernet Two RJ-45 connectors with speed/link/active LED on the faceplate
USB	2 x USB 3.0 and 4 x USB 2.0 on the faceplate
GPIB	Onboard IEEE488 GPIB controller Micro-D 25-pin connector on the faceplate (ACL-IEEE488-MD1-A cable required)
Trigger I/O	SMB connector on the faceplate to route an external trigger signal to/from PXI trigger bus
RS232	One RS-232/422/485 D-SUB9 connector
<b>Storage</b>	
HDD	500 GB (or greater) SATA hard drive
SSD	240 GB (or greater) SATA SSD
<b>Mechanical and Environmental</b>	
Dimensions	3U/4-slot PXI/CompactPCI standard
Slot Requirements	1 system slot plus 3 controller expansion slots
Weight	1 kg (2.2 lbs)
Operating Temp.	0 to 50°C (32°F to 122°F) (w/ HDD) 0 to 55°C (32°F to 131°F) (w/ SSD)
Storage Temp.	-20 to 70°C (-4°F to 158°F)
Relative Humidity	5 to 95%, non-condensing
Shock	30 G, half-sine, 11 ms pulse duration
Vibration	Operating: 5 to 500 Hz, 0.21 Grms, 3 axes Non-operating: 5 to 500 Hz, 2.46 Grms, 3 axes
Emissions Compliance	FCC Class A: EN 61326-1
CE Compliance	Immunity: EN 61326-1

## PXle-3935 Block Diagram

