

D9050MPHC MIPI M-PHY Conformance Test Software

for Infiniium Oscilloscopes

Introduction

Keysight Technologies' MIPI® M-PHY® conformance test software for Infiniium oscilloscopes gives you a fast, easy way to validate and debug your embedded M-PHY data links. The M-PHY electrical test software allows you to automatically execute M-PHY electrical checklist tests for DigRF v4, UniPro, LLI, UFS, SSIC and M-PCIe architectures, and displays the results in a flexible report format. In addition to the measurement data, the report provides margin analysis that shows how closely your product passed or failed each test. The M-PHY conformance test software performs a wide range of tests required to meet the physical layer requirements per section 5 of the MIPI Alliance Specification for M-PHY and section 1 of the M-PHY Conformance Test Suite (CTS). The M-PHY conformance test software helps you execute the most difficult physical layer tests for transmitters (TX tests only) that can be measured with a high bandwidth real-time digital oscilloscope. Although there are not currently any requirements for physical layer compliance verification, it is highly recommended that every MIPI M-PHY link be tested against the limits of the physical layer specification to ensure that it conforms to the specification and to minimize concerns with protocol level interoperability.



Table of Contents

- Save Time with the M-PHY Conformance Application 3
- Easy Test Definition 4
- Configurability and Guided Connections..... 5
- Result Reports with Margin Analysis 6
- Extensibility 7
- Automation 7
- Recommended Oscilloscopes 10
- Ordering Information 10
- Other Hardware, Probes and Accessories..... 10
- Related Literature..... 11
- Flexible Software Licensing and KeysightCare Software Support Subscriptions..... 11
- Subscription Based Compliance Test Software Suites..... 12
- Software Support and Continuity 12
- Subscription Based Compliance Test Software Suites..... 13

Key features

The M-PHY conformance test software offers several features to simplify design validation:

- Complete MIPI Alliance Specification for M-PHY v5.0, section 5 and M-PHY v5.0 CTS v1.0, section 1.
- User selection of tests and configuration of data rate. – Automated scope measurement setup and programming for increased accuracy, time-savings and repeatability.
- Advanced debug modes for troubleshooting.
- Automated margin analysis and pass/fail conformance reporting.
- Fully integrated SigTest tool for Gear4 Eye diagram test.

With the M-PHY conformance test software, you can use the same oscilloscope you use for everyday debugging to perform automated testing and margin analysis based on not only the MIPI Alliance Specification for M-PHY v5.0 section 5 requirements and M-PHY CTS v5.0 section 1.

Save Time with the M-PHY Conformance Application

The M-PHY conformance test software saves you time by setting the stage for automatic execution of required electrical tests. The primary difficulties associated with performing electrical tests for M-PHY is connecting the oscilloscope to the target device, correctly configuring the oscilloscope's measurement system for ultimate accuracy, issuing the proper commands to perform the tests and then analyzing the measured results by comparing them to limits published in the specification. The M-PHY conformance test software automates this work to provide rapid, accurate and repeatable test execution. In addition, if you discover a problem with your product, debug tools in the oscilloscope are available to aid in root-cause analysis.

Easy Test Definition

The M-PHY conformance test software extends the ease-of-use advantages of Keysight's Infiniium oscilloscopes to testing M-PHY designs. The Keysight automated test engine walks you quickly through the steps required to define and configure the tests, execute the tests and view the test results. You can select a category of tests all at once or specify individual tests. The user interface is oriented to minimize unnecessary reconnections, which saves time and ensures accuracy and repeatability of tests. You can save tests and configurations as project files and recall them later for quick re-testing or review of a previous test. Straightforward menus let you perform tests with a minimum of mouse clicks.

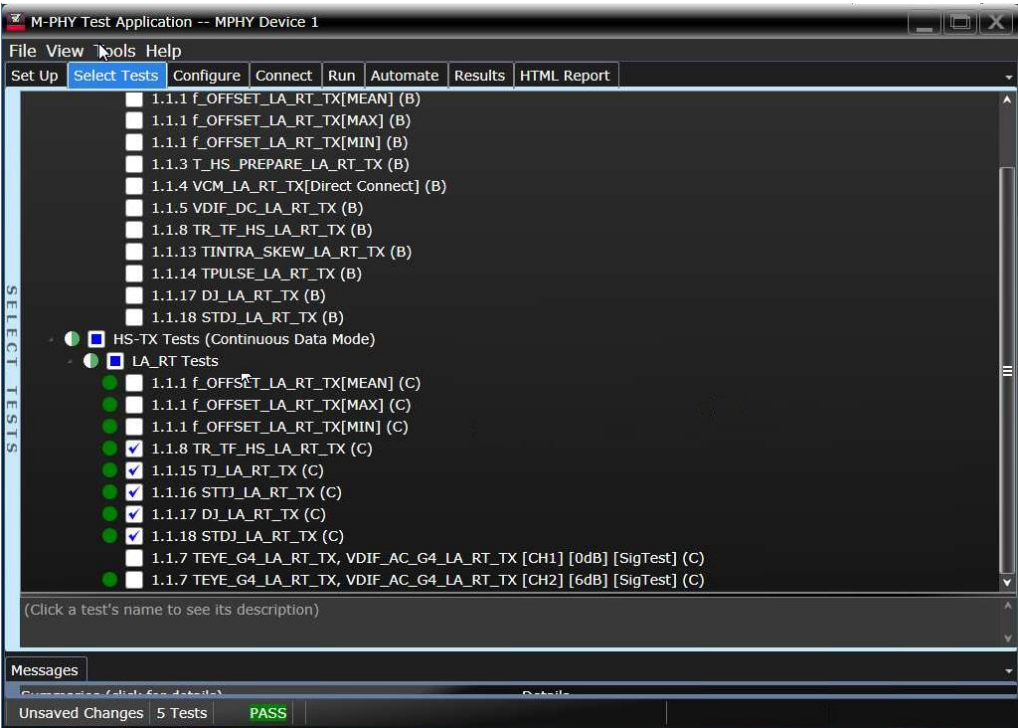


Figure 1. You can easily select individual tests or groups of test with a mouse-click and customize your output report based on the test results you want to see.

Configurability and Guided Connections

The M-PHY conformance test software provides flexibility in your test setup. The M-PHY conformance test software provides you with user-defined controls for critical test parameters such as channel probe configurations, number of measurement observations for tests and the trigger threshold. After you configure the tests to meet your needs, the M-PHY user interface will present you the connection screen that is specific to the configuration data you have selected. This includes the oscilloscope channels used for the test and the routing of any necessary probing needed to perform the tests. In some cases, a configuration change may be necessary to properly make a new set of measurements. Guided configuration diagrams will be presented when each change is needed to ensure proper configuration for the tests. The software is designed to minimize connection changes to increase the efficiency of test operation and save you time.

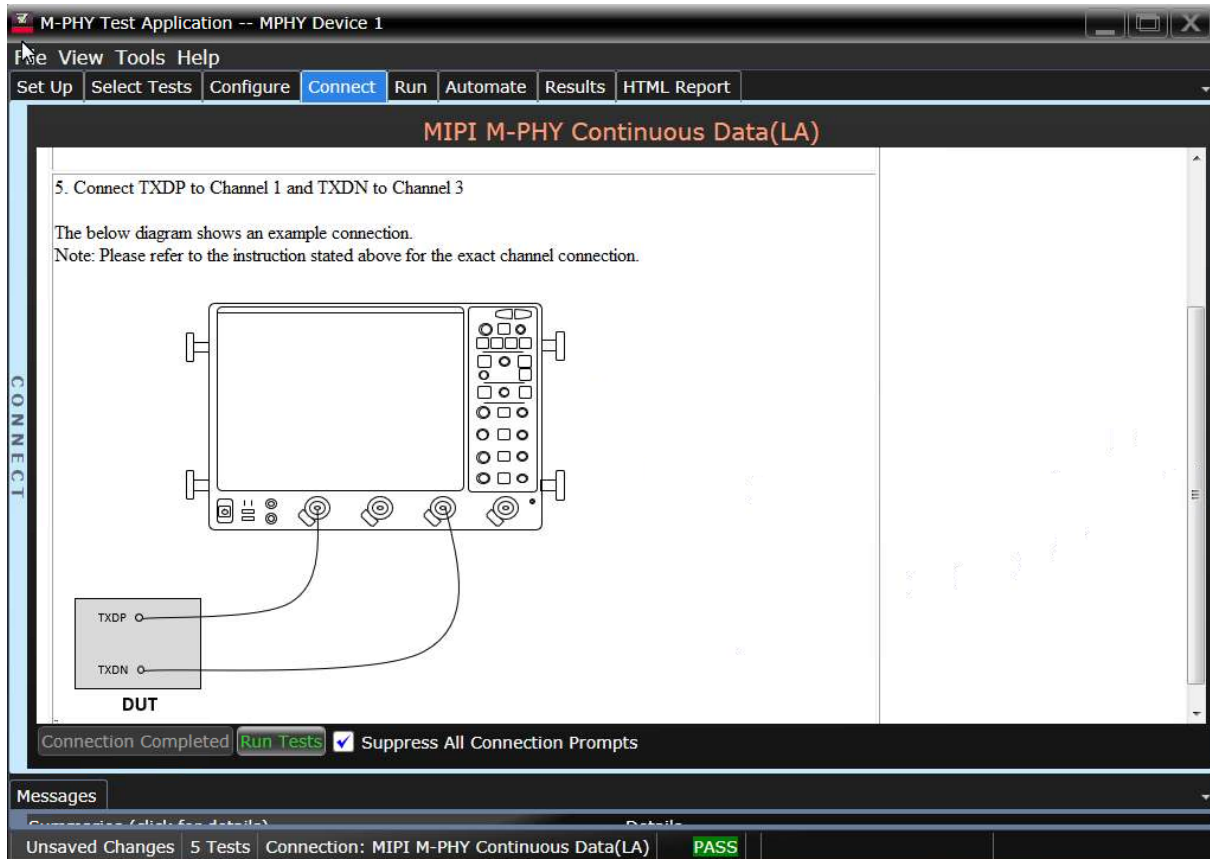


Figure 2. Guided configuration diagrams provide you with channel and probe configurations needed to properly connect to your product and accurately perform tests.

Result Reports with Margin Analysis

In addition to providing you with measurement results, the M-PHY test software provides a report format that shows you not only where your product passes or fails, but also reports how close you are to the limits specified for a particular test. You select the margin test report parameter, which means you can specify the level at which warnings are issued to alert you to the electrical tests where your product is operating close to the official test limit defined by the specification for a given test.

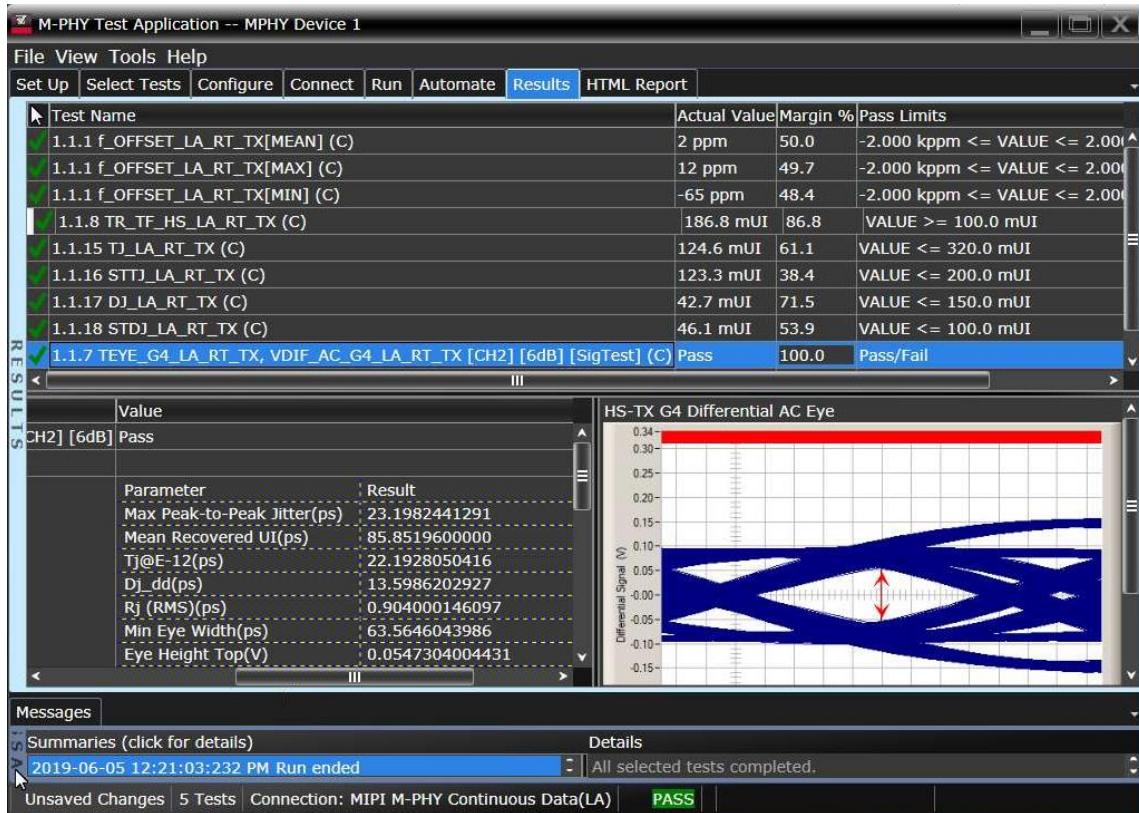


Figure 3. Results reports highlight test margins versus specified limits and a summary of measurements that pass/fail or violate the margin warnings you have set.

Extensibility

You may add additional custom tests or steps to your application using the N5467B/ N5467C User Defined Application (UDA) development tool (www.keysight.com/find/uda). Use UDA to develop functional “Add-Ins” that you can plug into your application. Add-ins may be designed as:

- Complete custom tests (with configuration variables and connection prompts)
- Any custom steps such as pre or post processing scripts, external instrument control and your own device control.

Automation

You can completely automate execution of your application’s tests and Add-Ins from a separate PC using the included N5452A Remote Interface feature (download free toolkit from www.keysight.com/find/scope-apps-sw). You can even create and execute automation scripts right inside the application using a convenient built-in client.

The commands required for each task may be created using a command wizard or from “remote hints” accessible throughout the user interface.

Using automation, you can accelerate complex testing scenarios and even automate manual tasks such as:

- Opening projects, executing tests and saving results
- Executing tests repeatedly while changing configurations
- Sending commands to external instruments
- Executing tests out of order

Combine the power of built-in automation and extensibility to transform your application into a complete test suite executive:

- Interact with your device controller to place it into desired states or test modes before test execution
- Configure additional instruments used in your test suite such as a pattern generator and probe switch matrix
- Export data generated by your tests and post-process it using your favorite environment, such as MATLAB, Python, LabVIEW, C, C++, Visual Basic etc.
- Sequence or repeat the tests and “Add-In” custom steps execution in any order for complete test coverage of the test plan

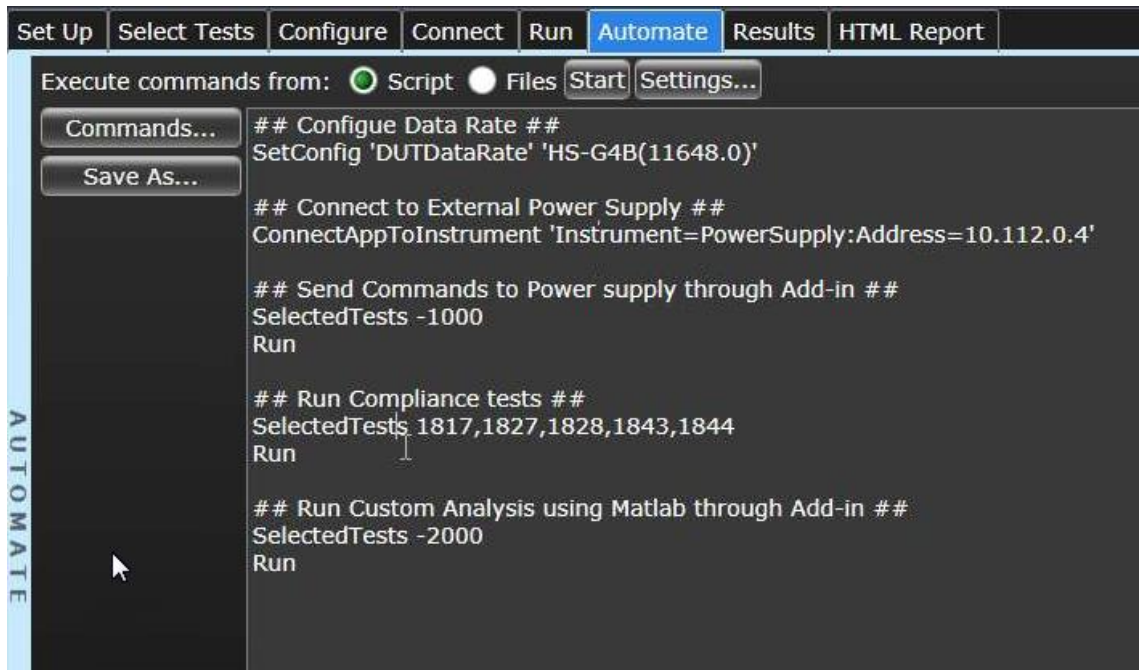


Figure 4. Remote programming script in the Automation tab.

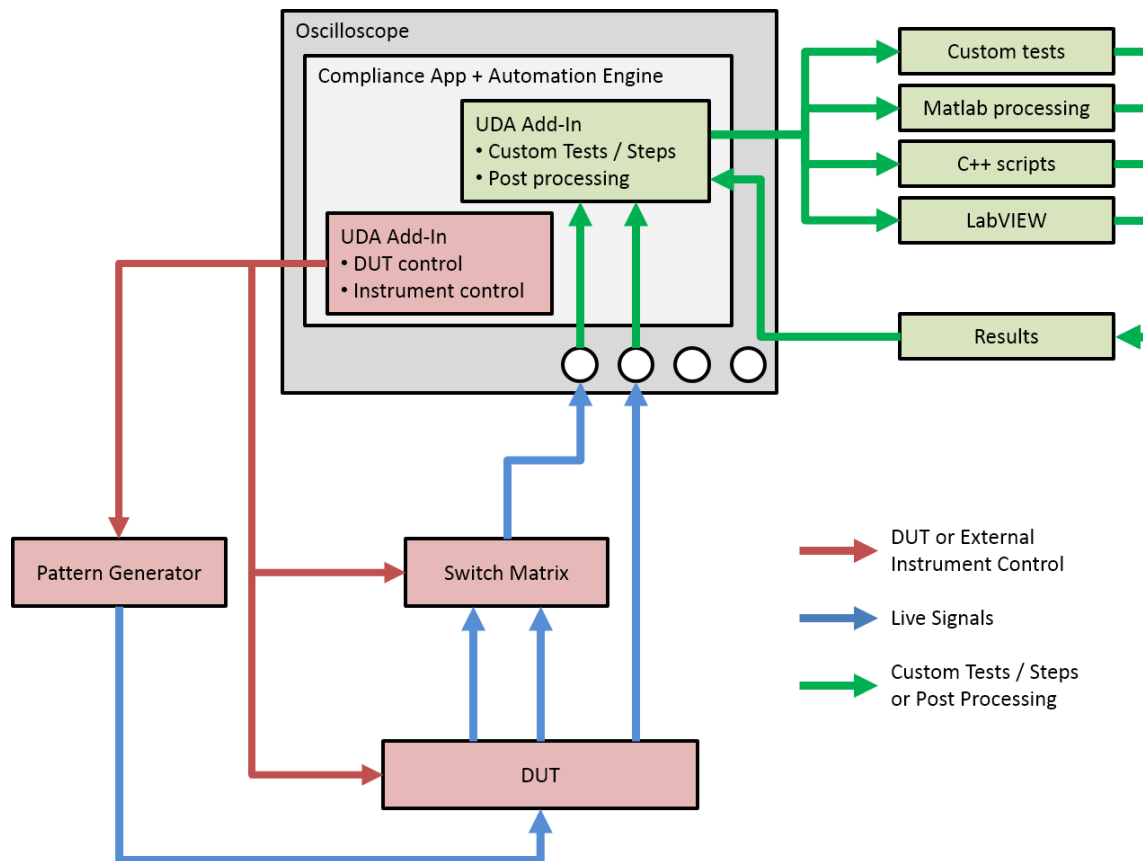


Figure 5. Combine the power of built-in automation and extensibility to transform your application into a complete test suite executive.

Test coverage

HS-TX characteristics

- Test 1.1.1 UIHS and fOFFSET_TX
- Test 1.1.2 PSDCM_TX (informative)
- Test 1.1.3 THS_PREPARE
- Test 1.1.4 VCM_TX
- Test 1.1.5 VDIF_DC_TX
- Test 1.1.6 TEYE_TX, VDIF_AC_TX (HS-G1 and HS-G2)
- Test 1.1.7 TEYE_HS_G3/G4/G5_TX, VDIF_AC_HS_G3/G4/G5_TX
- Test 1.1.8 TR_HS_TX and TF_HS_TX (informative)
- Test 1.1.9 TL2L_SKEW_HS_TX (if supports 2 or more lanes)
- Test 1.1.10 SRDIF_TX[MIN/MAX] (for Gear1 only)
- Test 1.1.11 SR_DIF Monotonicity (for Gear1 only)
- Test 1.1.12 Δ SR_DIF_TX (for Gear1 only)
- Test 1.1.13 TINTRA_SKEW_TX
- Test 1.1.14 TPULSE (informative)
- Test 1.1.15 TJTX (informative)
- Test 1.1.16 STTJTX (informative)
- Test 1.1.17 DJTX (informative)
- Test 1.1.18 STDJTX (informative)

PWM-TX characteristics

The PWM-TX tests are currently supported in the D9040MPHC app. (See D9040MPHC datasheet for details.) Support will be added to D9050MPHC in a future update.

SYS-TX characteristics

The SYS-TX tests are currently supported in the D9040MPHC app. (See D9040MPHC datasheet for details.) Support may be added to D9050MPHC in a future update.

UFS reference clock (informative)

The UFS reference clock tests are currently supported in the D9040MPHC app. (See D9040MPHC datasheet for details.) Support may be added to D9050MPHC in a future update.

Recommended Oscilloscopes

The M-PHY compliance software is compatible with Keysight Infiniium UXR Series oscilloscopes with operating software revision 11.30 or higher. For oscilloscopes with earlier revisions, free upgrade software is available here: www.keysight.com/find/scope-apps-sw.

Symbol rate	Minimum bandwidth	Minimum channels	Compatible oscilloscopes
Gear1 (up to 1.46 Gbps)	6 GHz	4 Analog channels	UXR-Series
Gear2 (up to 2.92 Gbps)	12 GHz		UXR-Series
Gear3 (up to 5.83 Gbps)	20 GHz		UXR-Series
Gear4 (up to 11.66 Gbps)	25 GHz		UXR-Series
Gear5 (up to 23.30 Gbps)	40 GHz		UXR-Series

Ordering Information

Model number	Description	Note
D9050MPHC	MIPI M-PHY Tx Compliance Software	Mandatory
D9020JITA	EZJIT Complete – Jitter and Vertical Noise Analysis Software	Mandatory
D9020ASIA	Advanced Signal Integrity Software (EQ, InfiniiSim Adv, Crosstalk)	Mandatory

Other Hardware, Probes and Accessories

Model number	Description	Quantity
MX0025A	InfiniiMax 25 GHz RC probe amp (MX0023A can also be used)	2
N2852A	AutoProbe II to AutoProbe III Interface Adapter	2
E2669B	Differential probe connectivity kit (contains needed probe header)	1
15443A	Matched cable pair (2 x SMA(m) to SMA(m) cable included)	1
N7010A	30 GHz Active Termination Adapter for Continuous mode test	2
N9398F	N9398F DC Block, 50 kHz to 50 GHz (for GEAR5 continuous tests)	2

Related Literature

Type	Description / URL
Data Sheet	Infiniium UXR Series (13 GHz to 110 GHz real time oscilloscope)
Brochure	30 Things Only Infiniium Oscilloscopes Can Do

MIPI® service marks and logo marks are owned by MIPI Alliance, Inc. and any use of such marks by Keysight Technologies is under license. Other service marks and trade names are those of their respective owners

Flexible Software Licensing and KeysightCare Software Support Subscriptions

Keysight offers a variety of flexible licensing options to fit your needs and budget. Choose your license term, license type, and KeysightCare software support subscription.

License terms

Perpetual – Perpetual licenses can be used indefinitely.

Subscription – Subscription licenses can be used through the term of the license only (6, 12, 24, or 36 months).

License types

Node-locked – License can be used on one specified instrument/computer.

Transportable – License can be used on one instrument/computer at a time but may be transferred to another using Keysight Software Manager (internet connection required).

USB Portable – License can be used on one instrument/computer at a time but may be transferred to another using a certified USB dongle (available for additional purchase with Keysight part number E8900-D10).

Floating (single site) – Networked instruments/computers can access a license from a server one at a time. Multiple licenses can be purchased for concurrent usage.

KeysightCare software support subscriptions

Perpetual licenses are sold with a 12 (default), 24, 36, or 60-month software support subscription.

Support subscriptions can be renewed for a fee after that.

Subscription licenses include a software support subscription through the term of the license.

Selecting your license:

Step 1. Choose your software product (eg. S1234567A).

Step 2. Choose your license term: perpetual or subscription.

Step 3. Choose your license type: node-locked, transportable, USB portable, or floating.

Step 4. Depending on the license term, choose your support subscription duration.

KeysightCare software support subscription provides peace of mind amid evolving technologies.

- Ensure your software is always current with the latest enhancements and measurement standards.
- Gain additional insight into your problems with live access to our team of technical experts.
- Stay on schedule with fast turnaround times and priority escalations when you need support.

Subscription Based Compliance Test Software Suites

A new ownership model of multiple Compliance Test Software Applications is now available.

With this new subscription-based model, the MIPI software suites bundle the Compliance Test Software Applications under a model number. Using a subscription-based ownership, you can enjoy all the test software features covered under MIPI across multiple generations and variants.

Software Support and Continuity

Under the subscription plan, software support is made available with no extra support cost. Ensuring your software always stays up to date with the latest enhancements and measurement standards while having access to our team of technical experts when you need support.

On top of that all upgrades are made available to you as the MIPI standards progresses with no additional costs.

Subscription Based Compliance Test Software Suites

Each suite comes with a 12, 24, or 36-month software suite subscription.

Suite license	Technology generation and variants coverage (current)
SW00MIPI MIPI Validation License	<ul style="list-style-type: none">• C-PHY TX Validation (D9010CPHC)• D-PHY TX Validation (D9020DPHC)• M-PHY TX Validation, HS-GEARs 1-4 (D9040MPHC)• M-PHY TX Validation, HS-GEARs 1-5 (D9050MPHC)
SW02MIPI MIPI Full TX Test Suite	<ul style="list-style-type: none">• C-PHY TX Validation (D9010CPHC)• D-PHY TX Validation (D9020DPHC)• M-PHY TX Validation, HS-GEARs 1-4 (D9040MPHC)• M-PHY TX Validation, HS-GEARs 1-5 (D9050MPHC)• C-PHY and D-PHY Protocol Validation (D9010MCDP)• M-PHY Protocol Validation (D9010MPMP)• LowSpeed Protocol Validation (D9010MPLP)

For more information on Keysight Technologies' products, applications, or services, please visit: www.keysight.com



This information is subject to change without notice. © Keysight Technologies, 2022, Published in USA, May 26, 2022, 3122-1515.EN