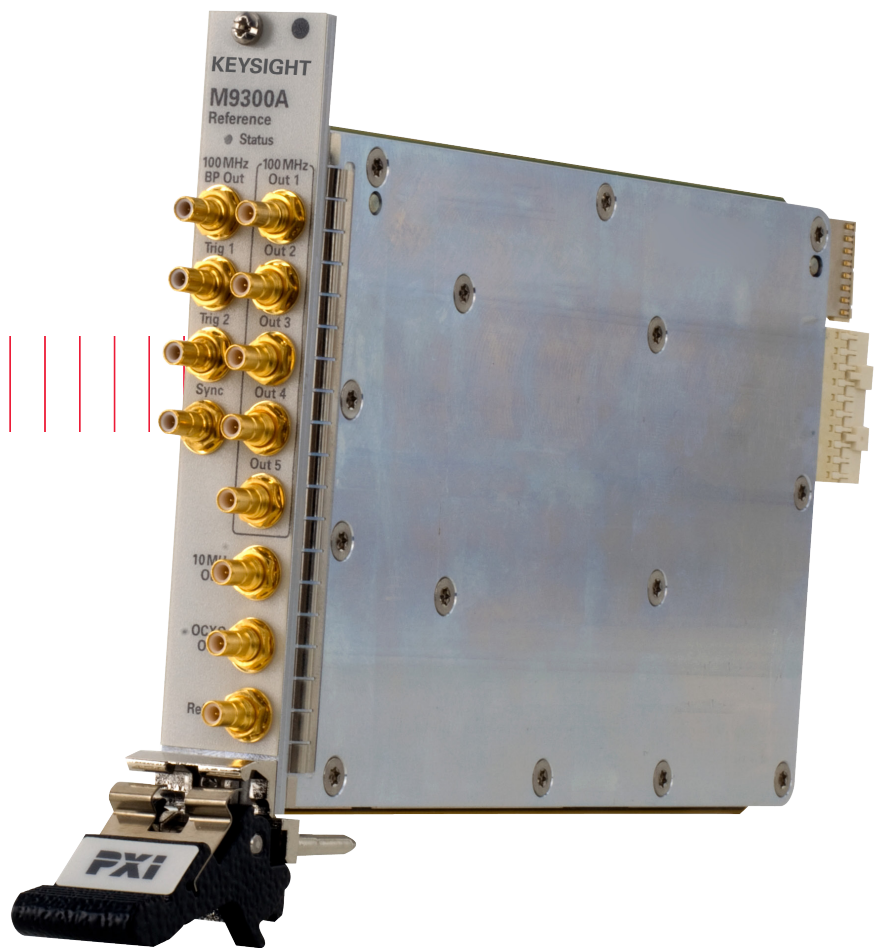


# Keysight Technologies

## M9300A PXIe Frequency Reference

Data Sheet



# Overview

## Product Description

The Keysight Technologies, Inc. M9300A PXIe frequency reference is a PXIe modular instrument that can be used as a 10 MHz or 100 MHz reference in various solutions. A single M9300A can be shared with up to four PXI VSAs, VSGs or VXTs in one chassis, as shown in Figure 1, to form a multi-channel solution.

Instrument control is provided through a soft front panel and programmatic interfaces tuned to your application development environment of choice.

## Product Features

- Locks to another reference with a value from 1 to 110 MHz.
- Five 100 MHz outputs
- One 10 MHz output
- Internal 10 MHz OCXO timebase output

## Uncompromising Values

- Reduces development time and simplifies integration into existing test environments with multiple drivers and programmatic interfaces.
- Reduces startup time with Keysight IO libraries easy con-figuration, one-step software install, and soft front panel.
- Fast repair turnaround time with Calibrated Core Exchange strategy.



Figure 1. M9300A PXIe Frequency Reference inserted in slot 10, above, can be shared with four M9393A PXIe Vector Signal Analyzers in one chassis.

## Technical Specifications and Characteristics

### Block diagram

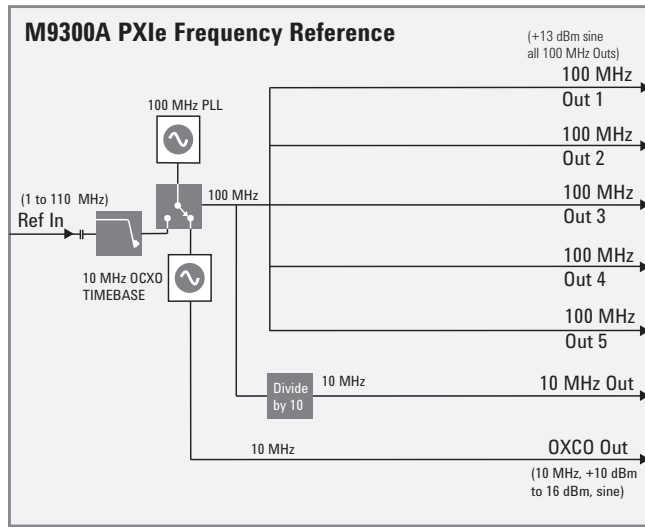


Figure 2. M9300A PXIe frequency reference block diagram.



### Definitions for specifications

#### Temperatures referred to in this document are defined as follows:

- Operating ambient temperature = 0 to 55 °C and individual module temperature of  $\leq 75$  °C
- Room temperature = 20 to 30 °C and individual module temperature of  $\leq 55$  °C

**Specifications** describe the warranted performance of calibrated instruments. Data represented in this document are specifications unless otherwise noted.

#### Specifications are warranted under the following conditions:

- Calibrated instruments that have been stored for a minimum of 2 hours within the operating ambient temperature range
- 30 minute warm-up time
- Calibration cycle maintained

**Characteristics** describe product performance that is useful in the application of the product. Characteristics are often referred to as Typical or Nominal values and are italicized.

- **Typical** describes characteristic performance, which 80% of instruments will meet when operated at room temperature.
- **Nominal** describes representative performance that is useful in the application of the product when operated at room temperature.

Note: All graphs contain measured data from several units at room temperature unless otherwise noted.

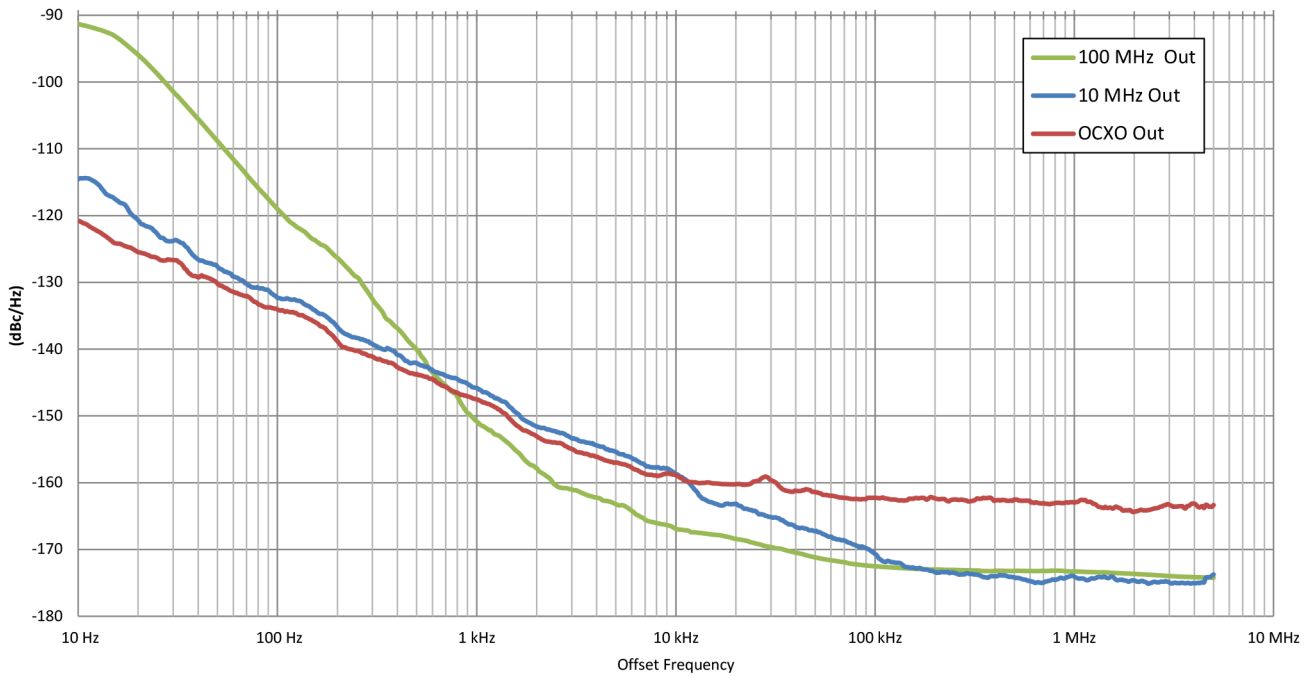
### Recommended best practices in use

- Use slot blockers and EMC filler panels in empty module slots to ensure proper operating temperatures.
- Keysight chassis and slot blockers optimize module temperature performance and reliability of test.
- At operating ambient temperatures above 45 °C, chassis fan should be set to high.

## Technical Specifications and Characteristics (continued)

Reference outputs	
<b>100 MHz Out (Out 1 through Out 5)</b>	
Amplitude	$\geq 10$ dBm, 13 dBm, typical
Connectors	5 SMB snap-on
Impedance	50 $\Omega$ , nominal
<b>10 MHz Out</b>	
Amplitude	9.5 dBm, nominal
Connectors	1 SMB snap-on
Impedance	50 $\Omega$ , nominal
<b>OCXO Out</b>	
Amplitude	11.5 dBm, nominal
Connectors	1 SMB snap-on
Impedance	50 $\Omega$ , nominal

**Phase Noise (nominal)**



## Technical Specifications and Characteristics (continued)

### Frequency accuracy

Same as accuracy of internal time base or external reference input

### Internal timebase

Accuracy  $\pm$  (time since last adjustment x aging rate)  
 $\pm$  temperature effects  
 $\pm$  calibration accuracy

### Frequency stability - Aging rate

Daily  $< \pm .5$  ppb/day, after 72 hour warm-up, nominal

Yearly  $< \pm .10$  ppm/year, after 72 hours warm-up, nominal

Total 10 years  $< \pm 0.6$  ppm/10yrs, after 72 hours warm-up, nominal

**Achievable initial calibration accuracy (at time of shipment)**  $\pm 5 \times 10^{-8}$

### Frequency stability - Temperature effects

20 to 30 °C  $< \pm 10$  ppb, nominal

Full temperature range  $< \pm 50$  ppb, nominal

### Frequency stability - warm up

5 minutes over +20 to +30 °C, with respect to 1 hour  $< \pm 0.1$  ppm, nominal

15 minutes over +20 to +30 °C, with respect to 1 hour  $< \pm 0.01$  ppm, nominal

### External reference input

Frequency 1 MHz to 110 MHz, sine wave

Lock range  $\pm 1$  ppm, nominal

Amplitude 0 to 10 dBm, nominal

Connector 1 SMB snap-on

Impedance 50  $\Omega$ , nominal

## Technical Specifications and Characteristics (continued)

### Environmental and physical specifications

Temperature	Operating Non-Operating (Storage)	0 to 55 °C -40 to +70 °C
Humidity <sup>1</sup>		Type tested at 95%, +40 °C (non-condensing)
Altitude		Up to 15,000 feet (4,572 meters)
EMC		Complies with European EMC Directive 2004/108/EC <ul style="list-style-type: none"> <li>- IEC/EN 61326-2-1</li> <li>- CISPR Pub 11 Group 1, class A</li> <li>- AS/NZS CISPR 11</li> <li>- ICES/NMB-001</li> </ul> This ISM device complies with Canadian ICES-001. Cet appareil ISM est conforme a la norme NMB-001 du Canada.
Warm-up time		30 minutes
Size		1 PXIe slot
Dimensions		Length 210 mm, Width 22 mm, Height 130 mm
Weight		0.551 kg (1.215 lbs)
Power drawn from chassis		≤ 18 W

### System requirements

Operating systems	Windows 7 (32-bit and 64-bit)
Processor speed	1 GHz 32-bit (x86), 1 GHz 64-bit (x64) (no support for Itanium 64)
Available memory	4 GB minimum 8 GB or greater recommended
Available disk space <sup>2</sup>	1.5 GB available hard disk space, includes: <ul style="list-style-type: none"> <li>- 1 GB available for Microsoft .NET Framework 3.5 SP1</li> <li>- 100 MB for Keysight IO Libraries Suite</li> </ul>
Video	Support for DirectX 9 graphics with 128 MB graphics memory recommended (Super VGA graphics is supported)
Browser	Microsoft Internet Explorer 7.0 or greater

1. Samples of this product have been type tested in accordance with the Keysight Environmental Test Manual and verified to be robust against the environmental stresses of Storage, Transportation and End-use; those stresses include but are not limited to temperature, humidity, shock, vibration, altitude and power line conditions. Test Methods are aligned with IEC 60068-2 and levels are similar to MIL-PRF-28800F Class 3.
2. NET framework runtime components are installed by default with Windows 7. Therefore, you may not need this amount of available disk space.

## Software

### Instrument connection software



Keysight IO  
Library

The Suite offers a single entry point for connection to the most common instruments including AXIe, PXI, GPIB, USB, Ethernet/LAN, RS-232, and VXI test instruments from Keysight and other vendors. It automatically discovers interfaces, chassis, and instruments. The graphical user interface allows you to search for, verify and update IVI instrument and soft front panel drivers for modular and traditional instruments. The Suite safely installs in side-by-side mode with NI I/O software.

Free software download at  
[www.keysight.com/find/iosuite](http://www.keysight.com/find/iosuite)

### Module setup and usage



Keysight Soft  
Front Panel

The PXI module includes a Soft Front Panel (SFP), a software-based Graphical User Interface (GUI) which enables the instrument's capabilities from your PC.

Included on CD-ROM shipped with module  
or online

### Programming

Driver	Development environments	
IVI-COM	Visual Studio	Included on CD-ROM shipped with module or online
IVI-C	(VB.NET, C#, C/C++)	
LabVIEW	VEE	
MATLAB	LabVIEW, LabWindows/CVI, MATLAB	

### Programming assistance



Command  
Expert

Assists in finding the right instrument commands and setting correct parameters. A simple interface includes documentation, examples, syntax checking, command execution and debug tools to build sequences for integration in Excel, MATLAB, Visual Studio, LabVIEW, VEE, SystemVue.

Free software download at  
[www.keysight.com/find/commandexpert](http://www.keysight.com/find/commandexpert)

### Calibration and traceability

Factory Calibration	The M9300A PXIe Frequency Reference ships factory calibrated with an ISO-9002, NIST-traceable calibration certificate.	Included in base configuration
Calibration Cycle	A one year calibration cycle is recommended	
Calibration Sites	<ul style="list-style-type: none"> <li>- At Keysight's Worldwide Service Centers</li> <li>- On-site by Keysight</li> <li>- By self-maintainers</li> </ul>	More information visit <a href="http://www.keysight.com/find/infoline">www.keysight.com/find/infoline</a>
R1282A Annual Calibration Service	<ul style="list-style-type: none"> <li>- Keysight Calibration</li> <li>- Keysight Calibration + Uncertainties</li> <li>- Keysight Calibration + Uncertainties + Guardbanding</li> <li>- Standards Compliance</li> <li>- ANSI Z540.3-2006, ISO 17025:2005, ANSI Z540-1-1994, ISO 9001:2008</li> </ul>	Additional service, not included in the warranty
N7800A Calibration and Adjustment Software	The M9300A is supported by Keysight's Calibration and Adjustment Software. This is the same software used at Keysight Service Centers to automate calibration. The software offers compliance tests for ISO 17025:2005, ANSI/NCSL Z540.3-2006, and measurement uncertainty per ISO Guide to Expression of Measurement Uncertainty.	Licensed software. For more information, visit <a href="http://www.keysight.com/find/calibrationsoftware">www.keysight.com/find/calibrationsoftware</a>
Keysight Calibration Status Utility	The Keysight Calibration Status utility helps ensure your M9300A is calibrated by managing the calibration interval and providing messages regarding instrument and module calibration status.	Included in base configuration

## Support

Support		
Core Exchange Program	Keysight's Replacement Core Exchange program allows fast and easy module repairs. A replacement core assembly is a fully functioning pre-calibrated module replacement that is updated with the defective module serial number, allowing the replacement module to retain the original serial number.	For qualified self-maintainers in US only
Self-Test Utility	A self-test utility runs a set of internal tests which verifies the health of the modules and reports their status.	Included in base configuration



## Configuration and Ordering Information

### Ordering Information

Model	Description
M9300A	PXIe Frequency Reference Includes: Software, example programs and product information on CD

### Software Information

Supported operating systems	Microsoft Windows 7 (32/64-bit)
Standard compliant drivers	IVI-COM, IVI-C, LabVIEW, MATLAB
Supported application development environments (ADE)	VisualStudio (VB.NET, C#, C/C++), VEE, LabVIEW, LabWindows/CVI, MATLAB
Keysight IO Libraries (version 16.3 or newer)	Includes: VISA Libraries, Keysight Connection Expert, IO Monitor

### Accessories

Model	Description
Y1212A	Slot Blocker Kit: 5 modules
Y1213A	PXI EMC Filler Panel Kit: 5 slots
Y1214A	Air Inlet Kit: M9018A 18-slot chassis
Y1215A	Rack Mount Kit: M9018A 18-slot chassis

### Related Products

Model	Description
M9393A	PXIe Performace Vector Signal Analyzer
M9391A	PXIe Vector Signal Analyzer
M9381A	PXIe Vector Signal Generator
M9380A	PXIe CW Source
M9420A	PXIe Vector Transceiver
M9018A	18-slot PXIe Chassis
M9037A	PXIe Embedded Controller
M9036A	PXIe Embedded Controller

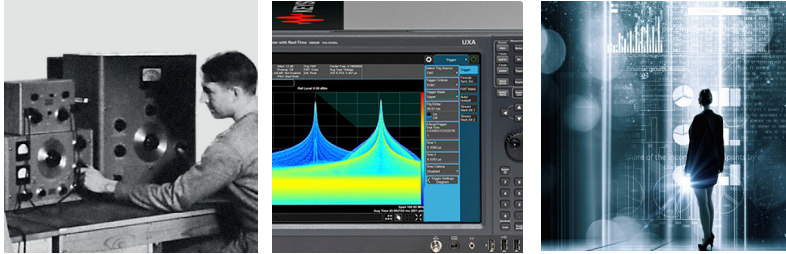
#### Advantage services: Calibration

Keysight Advantage Services is committed to your success throughout your equipment's lifetime

N7800A	Calibration & Adjustment Software
--------	-----------------------------------

## Evolving Since 1939

Our unique combination of hardware, software, services, and people can help you reach your next breakthrough. We are unlocking the future of technology.  
 From Hewlett-Packard to Agilent to Keysight.



For more information on Keysight Technologies' products, applications or services, please contact your local Keysight office. The complete list is available at: [www.keysight.com/find/contactus](http://www.keysight.com/find/contactus)

### Americas

Canada	(877) 894 4414
Brazil	55 11 3351 7010
Mexico	001 800 254 2440
United States	(800) 829 4444

### Asia Pacific

Australia	1 800 629 485
China	800 810 0189
Hong Kong	800 938 693
India	1 800 11 2626
Japan	0120 (421) 345
Korea	080 769 0800
Malaysia	1 800 888 848
Singapore	1 800 375 8100
Taiwan	0800 047 866
Other AP Countries	(65) 6375 8100

### Europe & Middle East

Austria	0800 001122
Belgium	0800 58580
Finland	0800 523252
France	0805 980333
Germany	0800 6270999
Ireland	1800 832700
Israel	1 809 343051
Italy	800 599100
Luxembourg	+32 800 58580
Netherlands	0800 0233200
Russia	8800 5009286
Spain	800 000154
Sweden	0200 882255
Switzerland	0800 805353
	Opt. 1 (DE)
	Opt. 2 (FR)
	Opt. 3 (IT)
United Kingdom	0800 0260637

For other unlisted countries:  
[www.keysight.com/find/contactus](http://www.keysight.com/find/contactus)  
 (BP-9-7-17)

**DEKRA Certified**  
ISO 9001 Quality Management System

[www.keysight.com/go/quality](http://www.keysight.com/go/quality)  
 Keysight Technologies, Inc.  
 DEKRA Certified ISO 9001:2015  
 Quality Management System

### myKeysight

#### myKeysight

[www.keysight.com/find/mykeysight](http://www.keysight.com/find/mykeysight)

A personalized view into the information most relevant to you.

[www.keysight.com/find/emt\\_product\\_registration](http://www.keysight.com/find/emt_product_registration)

Register your products to get up-to-date product information and find warranty information.

### KEYSIGHT SERVICES

*Accelerate Technology Adoption.  
 Lower costs.*

#### Keysight Services

[www.keysight.com/find/service](http://www.keysight.com/find/service)

Keysight Services can help from acquisition to renewal across your instrument's lifecycle. Our comprehensive service offerings—one-stop calibration, repair, asset management, technology refresh, consulting, training and more—helps you improve product quality and lower costs.



#### Keysight Assurance Plans

[www.keysight.com/find/AssurancePlans](http://www.keysight.com/find/AssurancePlans)

Up to ten years of protection and no budgetary surprises to ensure your instruments are operating to specification, so you can rely on accurate measurements.

#### Keysight Channel Partners

[www.keysight.com/find/channelpartners](http://www.keysight.com/find/channelpartners)

Get the best of both worlds: Keysight's measurement expertise and product breadth, combined with channel partner convenience.

[www.keysight.com/find/modular](http://www.keysight.com/find/modular)

[www.keysight.com/find/m9300a](http://www.keysight.com/find/m9300a)

