

Keysight Technologies

N6850A Broadband Omnidirectional Antenna

Data Sheet



Industries and Applications

- Spectrum monitoring and signal location, outdoor and indoor
- Interference Detection and location
- Fixed-site, vehicle-mounted, or handheld operation
- For use with N6841A RF Sensor, N99XX handheld spectrum analyzers, spectrum analyzers, or any receiver

Product Description

For your spectrum monitoring or interference detection applications, having an antenna that covers the entire frequency range of interest would be most convenient. Assembling discrete antennas is time-consuming and usually has to be done on-site as they are hard to transport without damaging the elements and may require multiple antennas to cover the full frequency range of the receiver. Other antennas may not have uniform gain patterns that are required by received signal strength geolocation algorithms.

The Keysight Technologies, Inc. N6850A Broadband Omni Antenna is a passive, omnidirectional antenna designed for receivers that operate up to 6 GHz. With this antenna, you can minimize mounting complexity by mounting only one very compact antenna. Its low profile design makes it ideal for inconspicuous spectrum monitoring applications. Its uniform gain pattern makes it ideal for time difference of arrival or for received signal strength geolocation techniques.



Figure 1. The antenna and the bracket

Main Features and Benefits

Product Features	Your Benefits
Wide frequency range	Covers 20 MHz to 6 GHz, meaning you only need only 1 antenna with your RF sensor or other receiver
Uniform gain pattern	Suitable for indoor or outdoor geolocation
Mounting adapter	Suitable for post or rail mounting, or handheld use. Easily adapted for vehicle mounting.
Compact design, low wind loading	Suitable for signal monitoring from tower or vehicle. Easy to transport, easy to mount.

Specifications and Characteristics

All specs and plots are Typical unless otherwise stated.

Product Features	Your Benefits
Frequency range	20 MHz to 6 GHz
Type	Omnidirectional, Passive
Size	16.5 inch high x 6.14 inch wide
Connector	Type N
Polarization	Vertical
Impedance	50 ohms
VSWR	< 2.5 for 450 MHz to 6 GHz
Operating Temperature	-50 to +70°C
Ingress	IP67
Wind Survivability	100 miles/hr (160 km/hr)
ROHS	Compliant
Antenna weight	Approx. 1.15 kg
Mounting bracket weight	Approx 1.54 kg
Shipping weight	Approx 6.1 kg

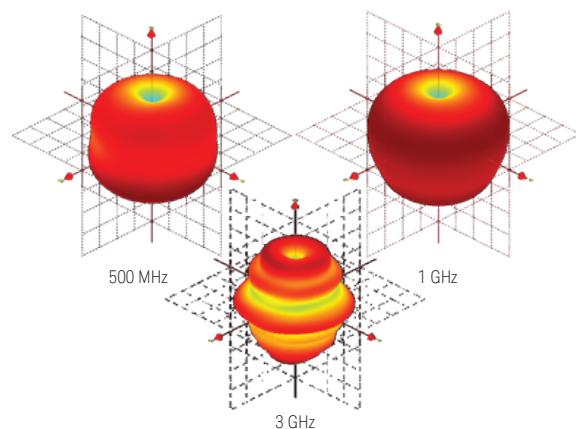


Figure 2. 3D gain plot of a representative unit at ambient temp

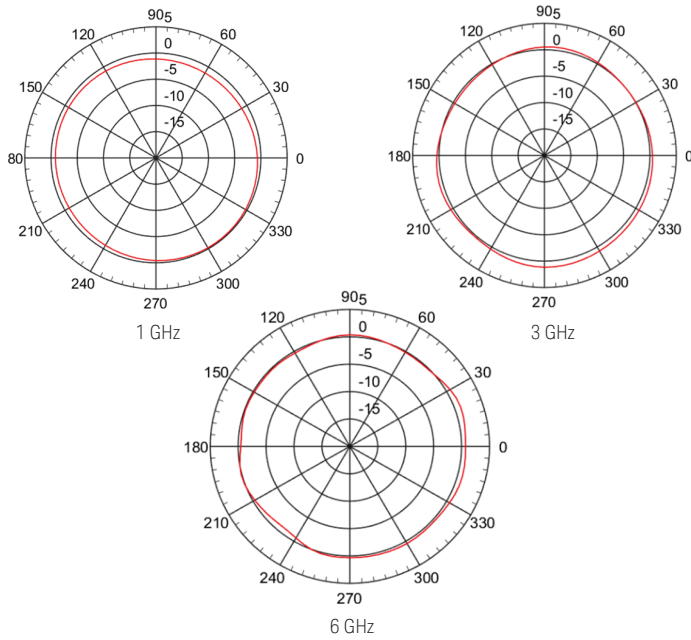


Figure 3. Radial gain pattern at the horizon of a representative unit at ambient temperature

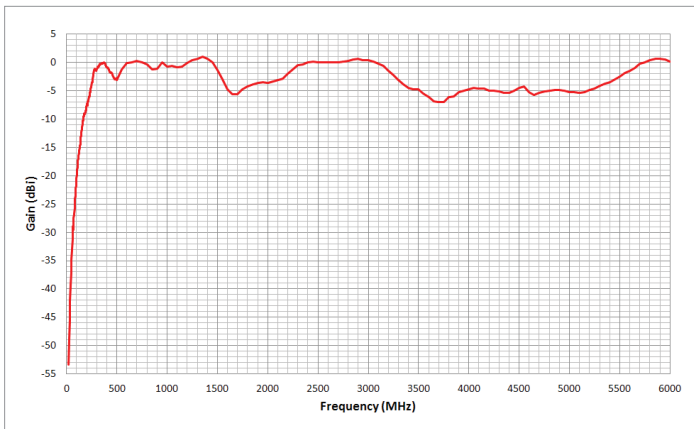


Figure 4. Average gain at the horizon at ambient temperature

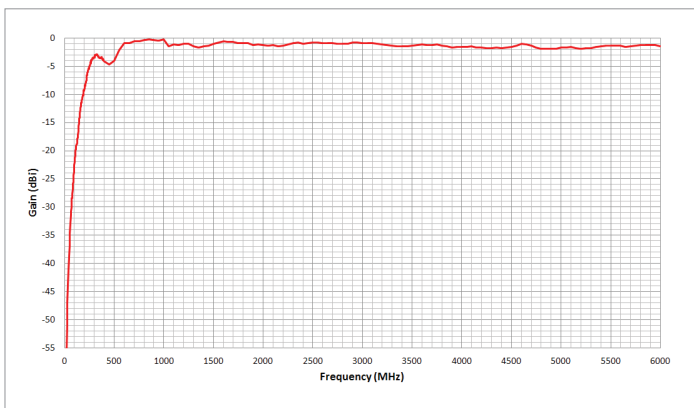


Figure 5. Average gain over all space at ambient temperature

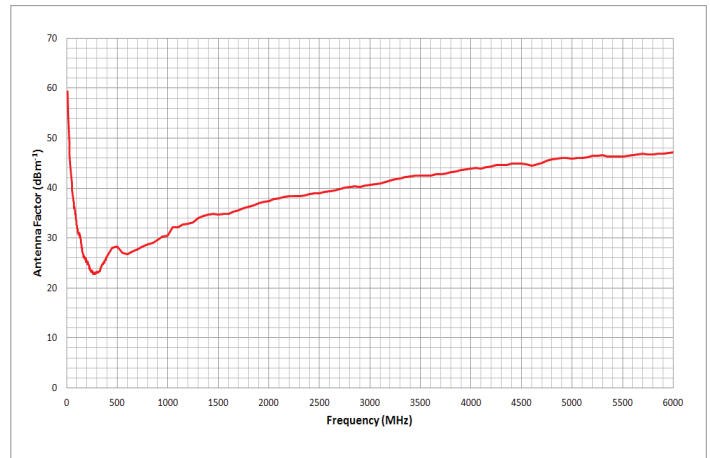
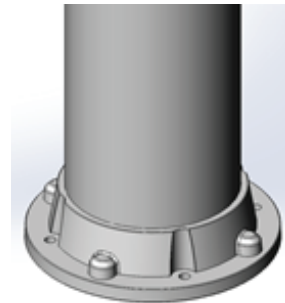


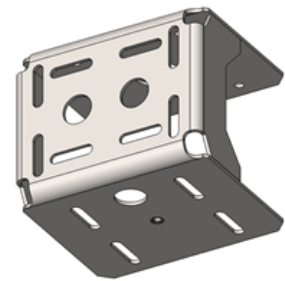
Figure 6. Average antenna factor over all space at ambient temperature

Mounting

There are 4 threaded inserts and 4 through-holes for mounting the antenna. You may use the enclosed mounting bracket or devise your own mount.

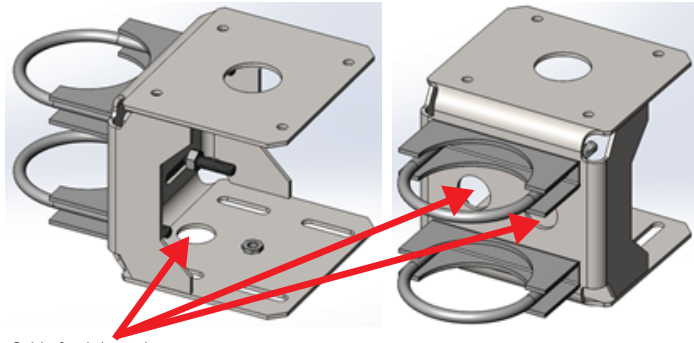


The 4 threaded inserts will accept 1/4"-20 x 0.5" (inch) length machine screws with 1/4" washer. The through-holes will accept 1/4"-20 x 1" (inch) bolt and nut. When used with our mounting bracket, you may mount with either the 4 through-holes or the 4 threaded inserts.



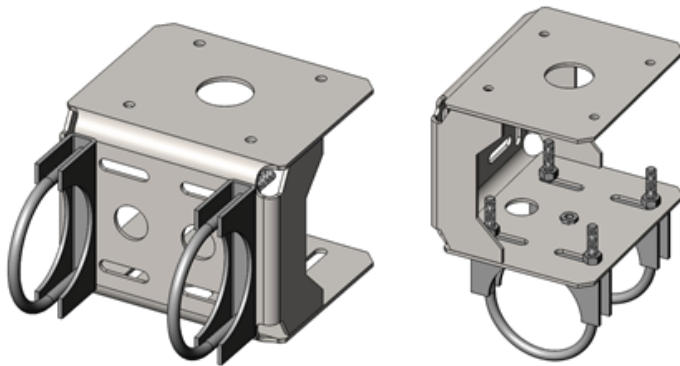
The mounting bracket can be vertical pole or horizontal rail mounted with 2 U-bolts (not included). All slots accommodate U-bolts for 1" to 3" diameter pipe.

Mount designed for 5/16" diameter U-bolts.

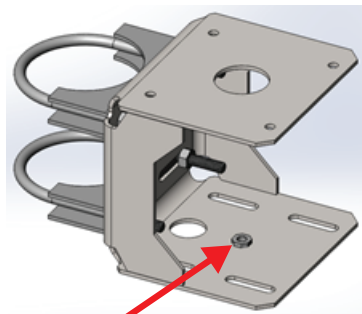


Cable feed through

U-bolts for vertical pole mounting (U-bolts not included)



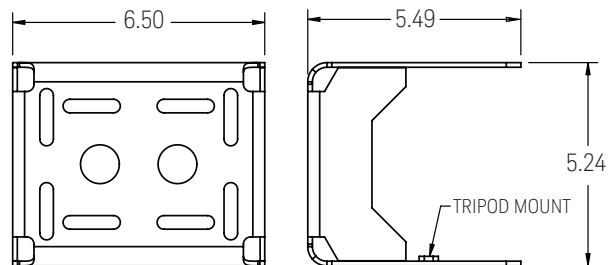
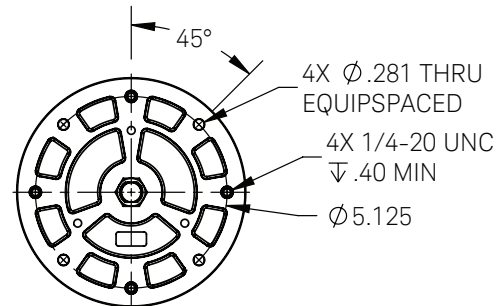
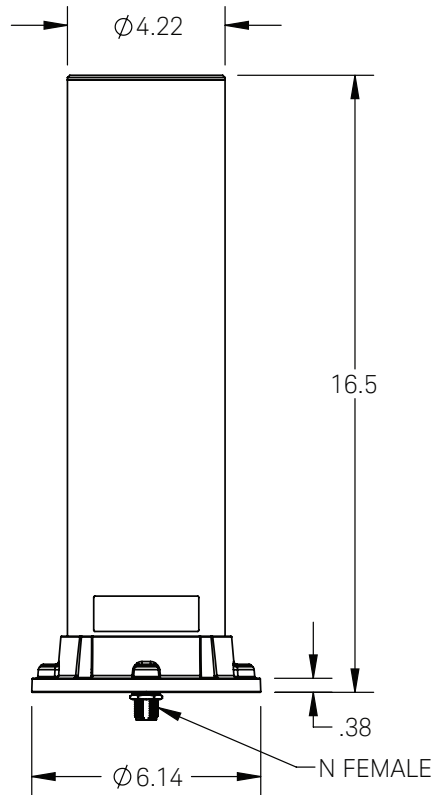
U-bolts for horizontal rail mounting (U-bolts not included)



1/4-20 Tripod mount

Vehicle mounting can be done by purchasing a magnetic mount with a 1/4-20 tripod screw.

Dimensions



Ordering Information

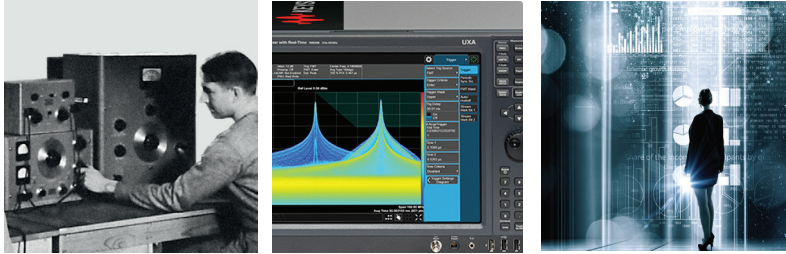
Model	Description
N6850A	Broadband omni antenna (6 GHz) Includes post/rail mounting adapter N-type antenna cable (5 ft) Mounting instructions

(Note: vehicle mount not included)

Evolving Since 1939

Our unique combination of hardware, software, services, and people can help you reach your next breakthrough. We are unlocking the future of technology.

From Hewlett-Packard to Agilent to Keysight.



For more information on Keysight Technologies' products, applications or services, please contact your local Keysight office. The complete list is available at:

www.keysight.com/find/contactus

Americas

Canada	(877) 894 4414
Brazil	55 11 3351 7010
Mexico	001 800 254 2440
United States	(800) 829 4444

Asia Pacific

Australia	1 800 629 485
China	800 810 0189
Hong Kong	800 938 693
India	1 800 11 2626
Japan	0120 (421) 345
Korea	080 769 0800
Malaysia	1 800 888 848
Singapore	1 800 375 8100
Taiwan	0800 047 866
Other AP Countries	(65) 6375 8100

Europe & Middle East

Austria	0800 001122
Belgium	0800 58580
Finland	0800 523252
France	0805 980333
Germany	0800 6270999
Ireland	1800 832700
Israel	1 809 343051
Italy	800 599100
Luxembourg	+32 800 58580
Netherlands	0800 0233200
Russia	8800 5009286
Spain	800 000154
Sweden	0200 882255
Switzerland	0800 805353
	Opt. 1 (DE)
	Opt. 2 (FR)
	Opt. 3 (IT)
United Kingdom	0800 0260637

For other unlisted countries:

www.keysight.com/find/contactus
(BP-9-7-17)

DEKRA Certified
ISO 9001 Quality Management System

www.keysight.com/go/quality
Keysight Technologies, Inc.
DEKRA Certified ISO 9001:2015
Quality Management System

myKeysight

myKeysight

www.keysight.com/find/mykeysight

A personalized view into the information most relevant to you.

http://www.keysight.com/find/emt_product_registration

Register your products to get up-to-date product information and find warranty information.

KEYSIGHT SERVICES

Accelerate Technology Adoption.
Lower costs.

Keysight Services

www.keysight.com/find/service

Keysight Services can help from acquisition to renewal across your instrument's lifecycle. Our comprehensive service offerings—one-stop calibration, repair, asset management, technology refresh, consulting, training and more—helps you improve product quality and lower costs.



Keysight Assurance Plans

www.keysight.com/find/AssurancePlans

Up to ten years of protection and no budgetary surprises to ensure your instruments are operating to specification, so you can rely on accurate measurements.

Keysight Channel Partners

www.keysight.com/find/channelpartners

Get the best of both worlds: Keysight's measurement expertise and product breadth, combined with channel partner convenience.

www.keysight.com/find/N6850A

www.keysight.com/find/rfsensor



This information is subject to change without notice.
© Keysight Technologies, 2016 - 2017
Published in USA, December 7, 2017
5992-1237EN
www.keysight.com