

Ag

Cu

Ni

Sn

Shieldex® RF Shielding Enclosures

Standard and tailor-made solutions



Our Shieldex® RF shielding enclosures are the best choice for laboratory testing and measurements. Due to their flexible and light laboratories, our enclosures are portable and can be setup or taken down without any effort in a short time. The size is flexible: Even large-scale projects like the Mars Rover project for NASA and for OHB have been realized successfully.

General Information

Pre-Compliance testing for **electromagnetic compatibility** can be carried out directly at your location. The expensive and complicated transportation of objects to electromagnetic test labs, usually in external institutions, becomes unnecessary.

The size as well as the fabric and configuration of the Shieldex® RF enclosure will be designed related to your requirement. Your Shieldex® product can come with required doors, ventilation system, I/O panels, filter box and many more. The Enclosure is cleanroom compatible to A300 (Class 1000).

Technical Specification

Series

T-Series: Table Top, 752 x 1362 x 752mm (LxWxH)

P-Series: Shielding Enclosure, 2390 x 2390 x 2300mm (LxWxH)

C-Series: Customised Shielding Enclosure.

We manufacture according to your requirements.

Description of material

Ag/Cu/Ni/Sn plated Nylon fabrics

Double or triple layer

Special characteristic: black, non-oxidizing outer wall

Shielding effectiveness

Average up to 95 dB from 30 MHz - 18 GHz

Measurement Standard: IEEE 299/2006

Temperature range

- 30 °C to 90 °C

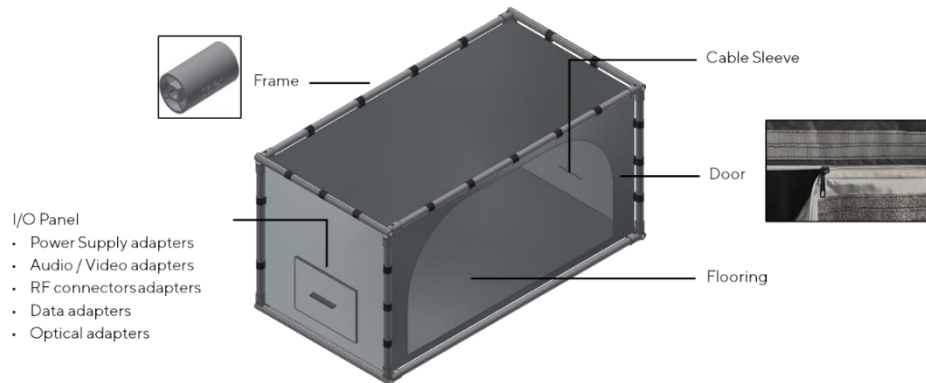
Additional options

Clean Room compatible to A300 (Class 1000)

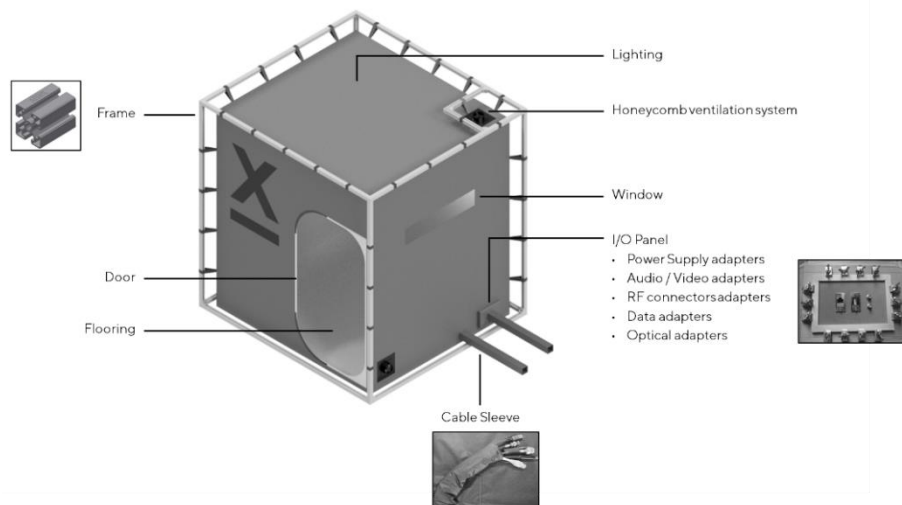
Applications

- Pre-Compliance Testing
- Computer and Cell Phone Forensics
- Testing cars, satellites, computers, and control systems
- Shielding of measuring devices, e.g. during ESD tests

T-Series
752 x 1362 x 752mm



P-Series
2390 x 2390 x 2300mm



Advantages

- Warranty
- Made in Germany
- Cost effective
- Portable and space saving
- Flexible and light laboratories
- Hand- and custom- made
- In-house studio

Services (optional)

- Installation service (setup & dismantling)
 - Retrofit service
 - Repair service
 - Rental service
-

Did we spark your interest ?

More information can be found on our detailed data sheets.
Please do not hesitate to contact us at any time.